

GAPS INTERFACE DEFINITION

GAPS

Opening and closing
gap filler authorization
STI PMR Standard

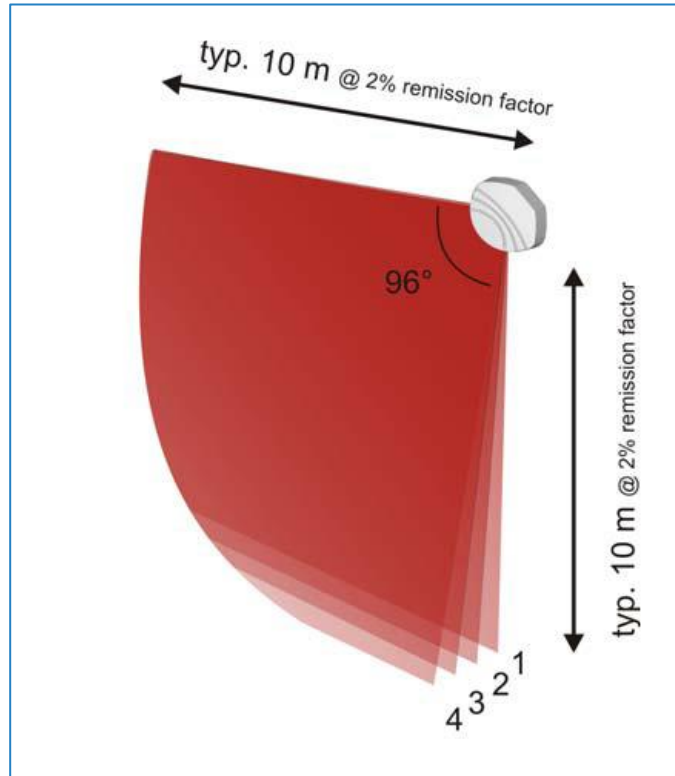
*GAPS system, Railway platform
station presence and level
monitoring
system SIL2 Interface definition*





LASER SENSOR DESCRIPTION

- Laser Class 1, 905nm, power max 75W, power supply 24V (supply by CPU box)
- Protection IP65
- Vibrations : complaint with I'IEC60068-2-6
- Scan on 4 different plans

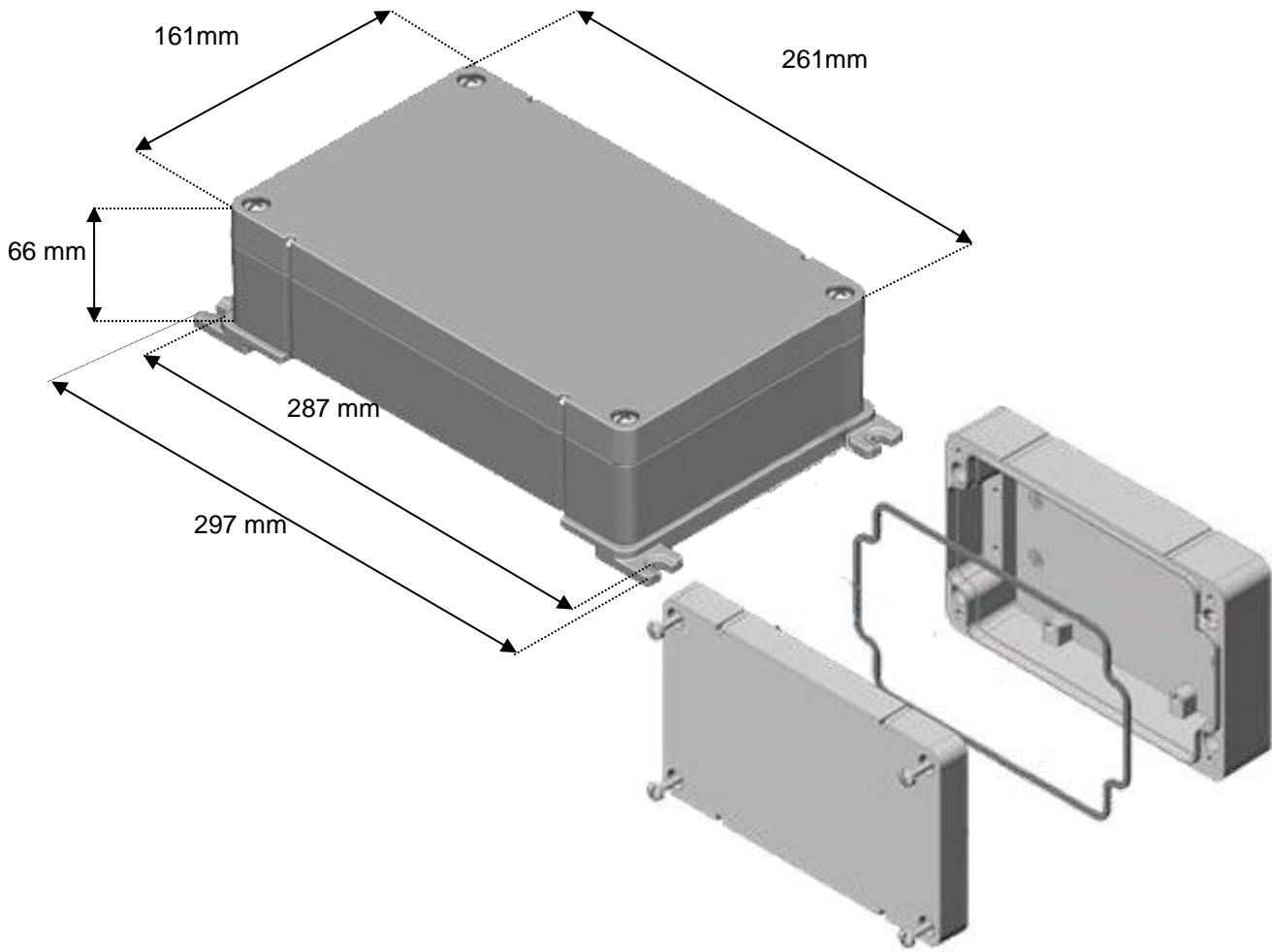


■ Scanner on 4 plans

TECHNICAL FEATURES

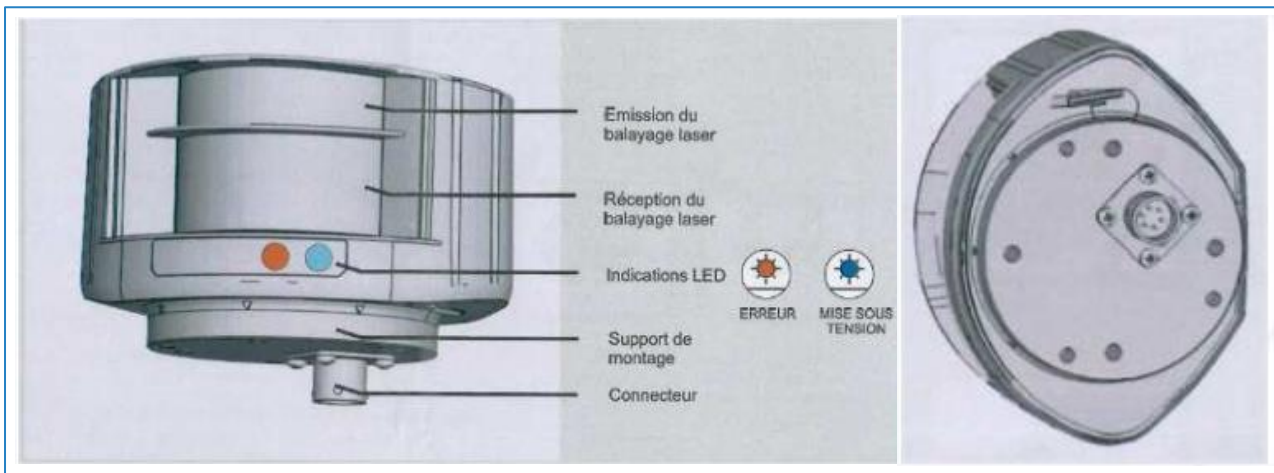
- *For CPU Box : Figure 1*
- *For laser scanners : Figure 2*
- *Dimension are 125mm x 93mm x 70 mm*
- *CPU Connector: Figure 3*

MECHANICAL INTERFACE

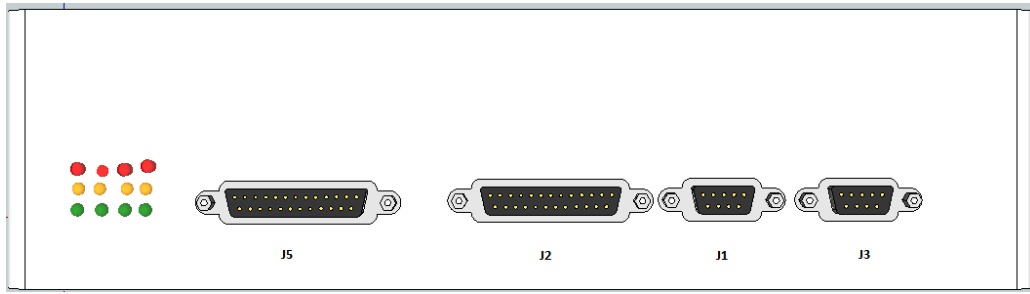


For laser scanners:

Dimension are 125mm x 93mm x 70 mm



■ Figure 2: Laser scanner



■ Figure 3: CPU connector

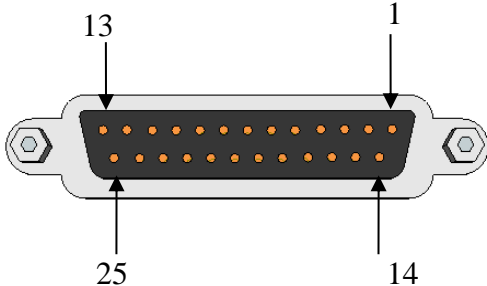
J3- DB9 plug (RS485):

Box side, front view	
Référence : HARTING – 09 66 162 6813	
1. TX N	Transmitted data -
2. TX P	Transmitted data +
3. RX P	Received data +
4. RX N	Received data -
5. Gnd	Masse
6. to 9. Not connected	

J1- DB9 receptacle (CAN):

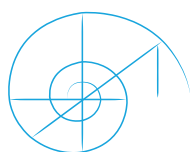
Box side, front view	
Référence : HARTING – 09 66 162 6813	
1. GND	Common ground
2. GND	Common ground
3. GND	Common ground
4. GND	Common ground
5. GND	Common ground
6. C2L	Can P2 Low
7. C2H	Can P2 High
8. C1L	Can P1 Low
9. C1H	Can P1 High

J2- DB25 receptacle (Lasers):

Box side, front view	
Référence : HARTING – 09 66 162 6813	
1. -	
2. -	
3. Gnd-iso GND laser	
4. 24G 24V Lasers P1	
5. -	
6. Gnd-iso GND laser	
7. 24G 24V Lasers P1	
8. -	
9. Gnd-iso GND laser	
10. 24D 24V Lasers P2	
11. --	
12. Gnd-iso GND laser	
13. 24D 24V Lasers P2	
14. ON_G On/Off lasers P1	
15. RX N 2P1 RX- Laser 2 P1	
16. RX P 2P1 RX+ Laser 2 P1	
17. ON_G On/Off lasers P1	
18. RX N 1P1 RX- Laser 1 P1	
19. RX P 1P1 RX+ Laser 1 P1	
20. ON_D On/Off lasers P2	
21. RX N 2P2 RX- Laser 2 P2	
22. RX N 2P2 RX- Laser 2 P2	
23. ON_D On/Off lasers P2	
24. RX N 1P2 RX- Laser 1 P2	
25. RX N 1P2 RX- Laser 1 P2	

CLEARSY

Safety Solutions Designer



320 AVENUE ARCHIMEDE - LES PLEIADES III BAT A
13100 AIX-EN-PROVENCE - FRANCE

Tél. +33 (0)4 42 37 12 70 - Fax : +33 (0)4 42 37 12 71
contact@clearsy.com | www.clearsy.com