

Model	Format	Width	Height	Depth ⁽¹⁾	NO ⁽²⁾ Contact	NC Contact	Control voltage	Delivery ⁽³⁾ time
RS4.DIN.202.24V	DIN housing	22,5	90	99,5	2	2	24 VDC**	18 weeks
RS4.DIN.304L.24V	Long DIN housing	22,5	90	121	3	4	24 VDC	18 weeks
RS4.DIN.304P.24V	Long DIN housing	22,5	90	121	3	4	24 VDC	18 weeks
RS4.DIN.402.24V	Long DIN housing	22,5	90	121	4	2	24 VDC**	18 weeks
RS4.DIN.406.24V	Double DIN housing	45	90	121	4	6	24 VDC	18 weeks
RS4.3U.2x202.24V	3 U Card	40	100	160	2x2*	2x2*	24 VDC**	18 weeks
RS4.DIN.202.110V	Long DIN housing	22,5	90	121	2	2	110 VDC	18 weeks
RS4.DIN.202.72V	Long DIN housing	22,5	90	121	2	2	72 VDC	18 weeks
RS4.B.24.0.24	6 U card***	160	36	233	24	24	24 VDC	24 weeks

* The relay card RS4.3U.2*202.24V includes two 2NO 2NC relay with independent controls.

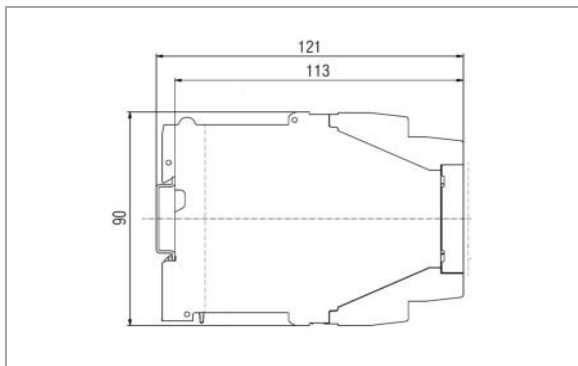
** This relay has two control input, a post and a line.

*** Manufacturing on demand. A period of four months is needed to start relay production

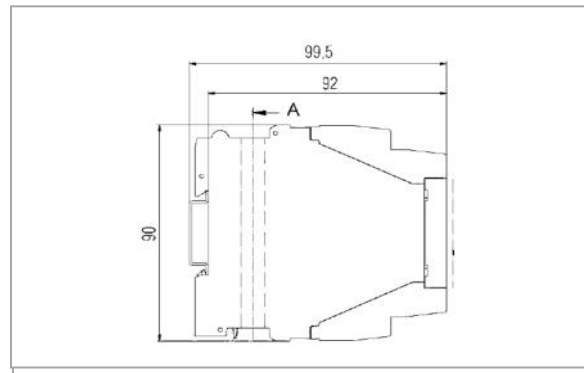
10 units minimum per order

To order a quantity of more than 100 pieces, contact us for timing

(1) Considers the DIN rail (approx. 3mm).
 (2) NO Contact (SIL4).
 (3) Standard delay



Long DIN housing format



Standard DIN housing format



RS4.DIN



RS4.3U.2*202.24V



RS4.B.24.0.24



320 AVENUE ARCHIMEDE
 LES PLEIADES III BAT A
 13100 AIX-EN-PROVENCE
 FRANCE

Tél. +33 (0)4 42 37 12 70
 Fax. +33 (0)4 42 37 12 71
 Mail. contact@clearsy.com
 Web. www.clearsy.com